

ACON AG-02
PROTOCOL CONVERTER



Introduction :

ACON AG-02 is a device, which is used as a Protocol converter between any to serial devices. (Modbus RTU to Modbus ASCII)

Specifications:

OPTICAL ISOLATION : 1.5 KV.

INTERFACE : RS232, RS 485 (2 wire/4 Wire)

CONNECTORS : TERMINAL BLOCKS.

POWER : 230 VAC.

Indications : LED Indications TX, RX for COMA, COMB Power ON; and Program mode

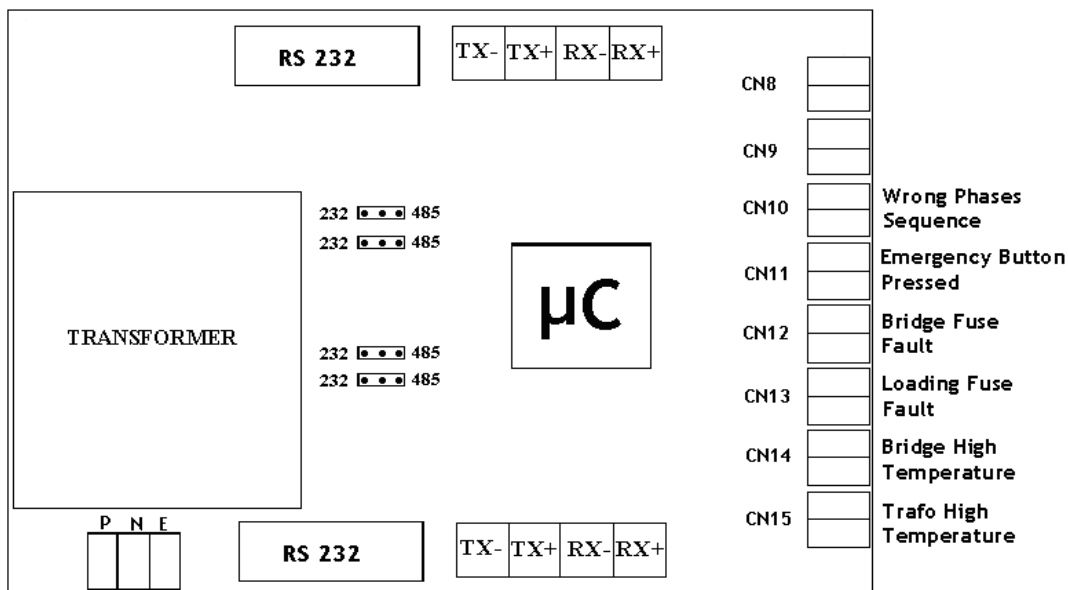
Serial Parameters : Port com A - Baud Rate: 9600, Parity - None,
No. Of bits: 8, Stop Bit: 1 (Programmable)
Protocol: - Modbus ASCII

: Port com B - Baud Rate: 9600, Parity - none,
No. Of bits: 8, Stop Bit: 1 (Programmable)
Protocol - Modbus RTU

Size : 110 X 75 X 40 mm

Mounting : Din rail Profile

Abacus AG-02 Communication Board:

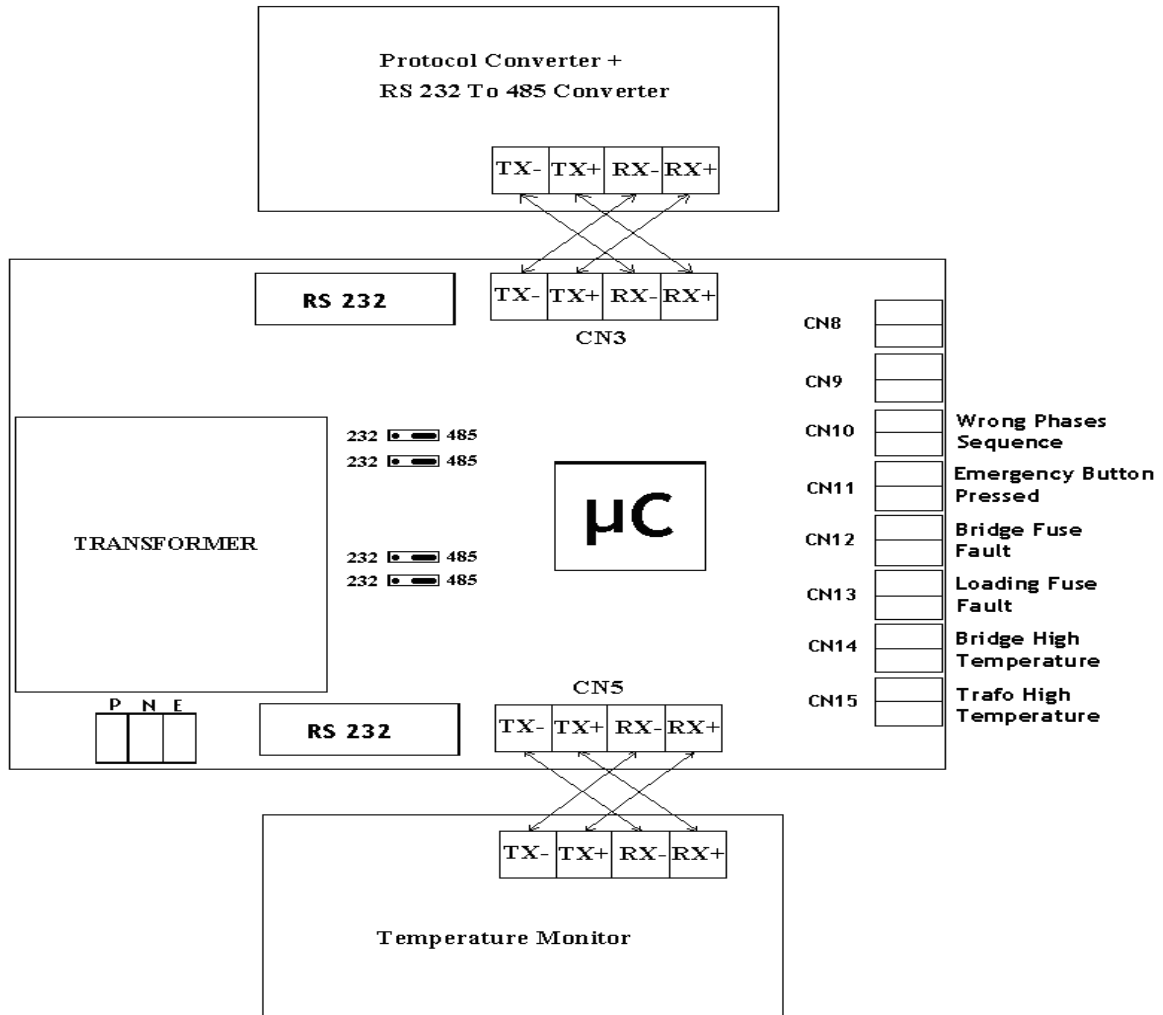


Above diagram shows the connection details of **Digital Input** to **Abacus AG-02 Communication Board**. As per given diagram connect **Digital Inputs** to **CN10 to CN15** of **Abacus AG-02 Communication Board**.

There are four Jumper Links on Board. Connect Jumper Link to **485** sides on communication board for 2-wire or 4-wire 485 connections. Connect Jumper Link to **232** sides on communication board for 232 connections.

Wiring Diagram:

4-Wire:



Address: Narhe Industrial Estate, Lane No. 1, Sr. No. 44/21, Narhe Gaon, Tal-Haveli, Pune, Maharashtra 411041 **Tel :** +91 9284025858

Email: Info@abacuselectronics.in **Webiste:** www.abacuselectronics.in